

[go to: PARTS DIAGRAM](#)[CLIP ART](#)[BACK TO SPECIALTY SAWS](#)

No. 812 Super Saw

Our completely redesigned Super Saw now has the most features and power available of any undercutting saw. The 13 AMP motor and 6 1/2" diameter flush-cutting blade can fully undercut the inside corner even in extremely tight areas. Doors as thick as 13/4" can be undercut without removal. Blade height is adjustable from a flush cut to a maximum of 1 1/4" off the floor. The vacuum fitting for dust control can save a lot of clean up (vacuum not included). The retractable stabilizer provides a smooth, solid feel under load. Comes with carrying case, carbide blade, masonry blade, and instructions.



Undercuts Inside Corners



Undercuts Masonry

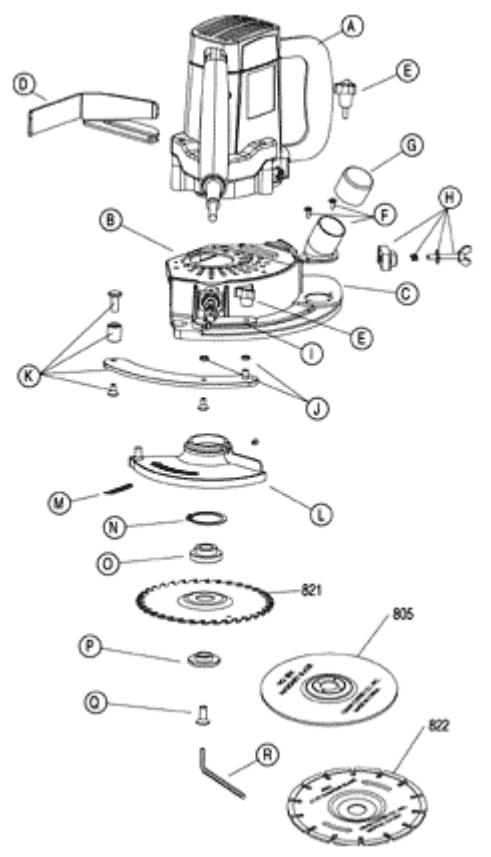


Undercuts Doors

[PARTS DIAGRAM](#)[up](#) [down](#)

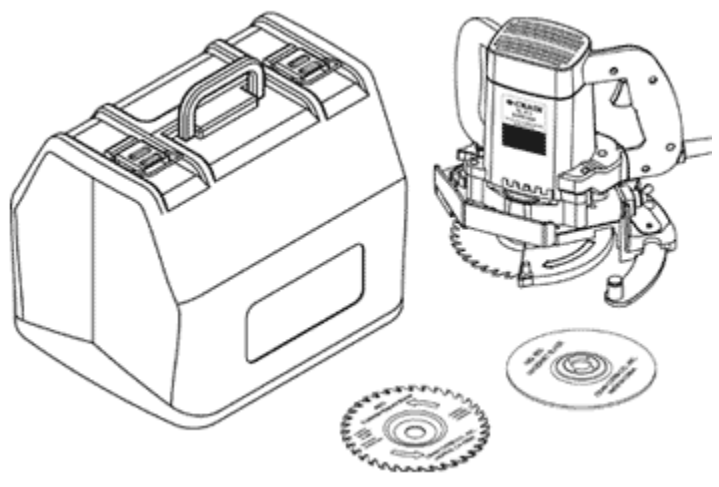
NO. 812 SUPER SAW

| Order No. | Description |
|-----------|---|
| 1812-A | Power Unit, 120 volts |
| 1812-AV | Power Unit, 220 volts |
| 1812-B | Housing |
| 1812-C | Height Adjuster |
| 1812-D | Depth Gauge |
| 1812-E | Three Arm Knob Set (2) |
| 1812-F | Vacuum Flange and Fastener (3) |
| 1812-G | Flange Cap |
| 1812-H | Guide Washer Set (8) |
| 1812-I | Stabilizer Retainer and Fastener (4) |
| 1812-J | Bushing Set (2) |
| 1812-K | Stabilizer and Fastener (4) |
| 1812-L | Blade Guard |
| 1812-M | Blade Guard Spring and Fastener |
| 1812-N | Blade Guard Snap Ring |
| 1812-O | Blade Spacer |
| 1812-P | Blade Clamp |
| 1812-Q | Blade Screw |
| 1812-R | Hex Key |
| 1812-S | Carrying Case (not shown) |
| 1812-T | Carrying Case Latch Set (2 - not shown) |
| 1812-U | Switch |
| 1812-V | Power Cord |
| 1812-W | Brushes Set (2) |



CLIP ART

up





[▲ Top](#)

[Home](#) | [Distributors](#) | [E-mail](#) | [New Products](#) | [Part Index](#) | [Vinyl Tools](#)
[Specialty Saws](#) | [Laminate Tools](#) | [Carpet Tools](#) | [Tear-out Tools](#)